

747FCD Series Granger Horizontally Polarized, Fixed Log Periodic Antennas

- 2-30 MHz or 4-30 MHz Frequency Range with Single Input
- Up to 20 KW Average 40 KW Peak Power Rating
- Horizontal Polarization
- Fixed Directional Log Periodic
- 2.0:1 Nominal, 2.5:1 Maximum VSWR (2.0 MHz Version)
- Short-, Medium-, and Long-Range Communications

General Description

The 747FCD Antenna Series intended for fixed station applications is based on the single mast, transportable 747CD Log Periodic Antenna Series. However, materials and construction techniques appropriate to a permanent installation are adopted. The result is an economic antenna permitting simple assembly and erection procedures with a single 75 foot (23 meter) mast, saving on foundation work.

The variable take-off angle array configuration results in a high performance antenna well suited to applications where communications over varying distances is required. Elevation angles are appropriate to the frequencies commonly used for short, medium and long distances.

Frequency ranges of 2.0-30 MHz or the more compact 4.0-30 MHz version allow a choice depending upon available site space or distance of communication.

Power ratings of up to 20 kW average, 40 kW peak are available. A single balun transformer converts the 200 ohm antenna feedline to a 50 ohm coaxial input.

Strength and Durability

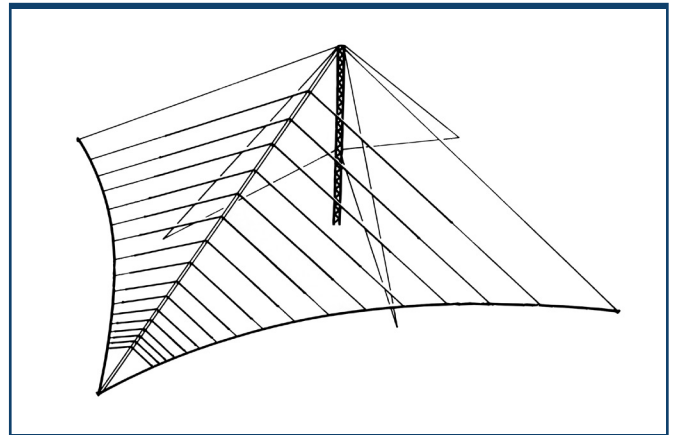
The 747FCD Series Antennas are built to withstand harsh environments. The triangular, 17 inch face width, guyed tower is of lattice construction with tubular crossmembers. The corner rails are of high yield steel and all parts are hot dipped galvanized for corrosion resistance. The "knock-down" tower is easily bolted together on site. Guys of extra strength galvanized steel rope are attached to the steel hairpin anchors supplied for installation in concrete.

The feedline and radiating curtain are accurately prefabricated from "Alumoweld" wire, a material extremely resistant to corrosion, ensuring high electrical conductivity. The high purity Alumina Ceramic feedline spacers and insulators are unaffected by arcing or corona, unlike organic materials which tend to carbonize under these conditions.

Array support catenaries are fabricated from "Parafil", a stable pre-stretched parallel filament dielectric material, surrounded by a flexible dense black protective sheath which resists ultraviolet light deterioration and moisture penetration.

Accessories

The following accessories are available for ease of installation and maintenance: tower lighting kit, erection kit, paint kit, tool kit, lightning rod kit, anti-climbing kit, and spares kit.

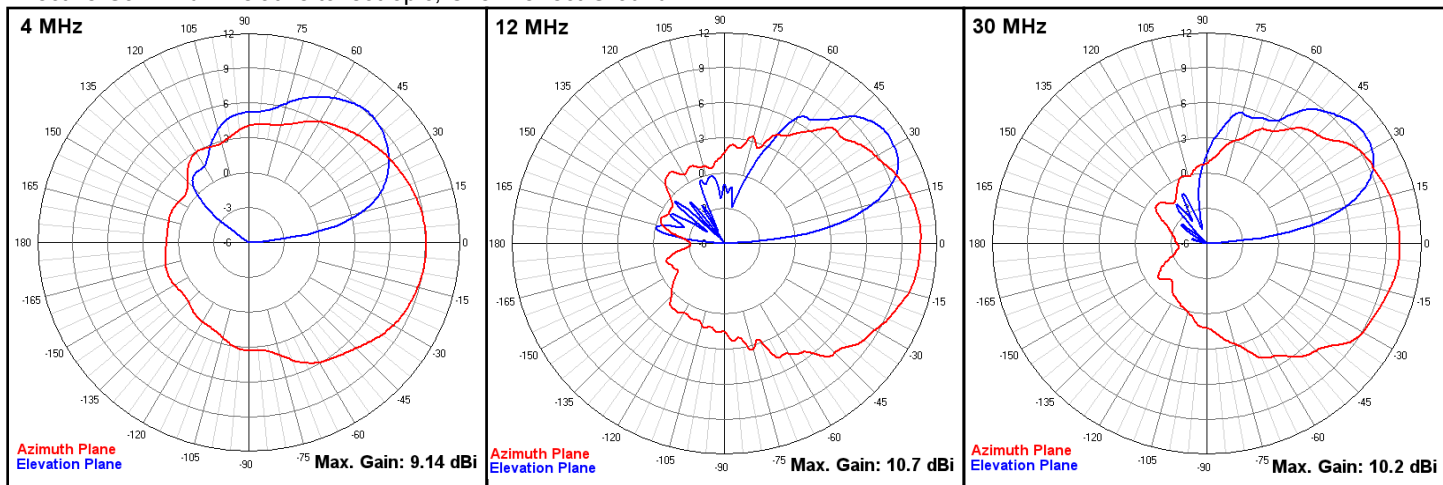


747FCD Series Horizontal Log Periodic Antenna

Characteristics

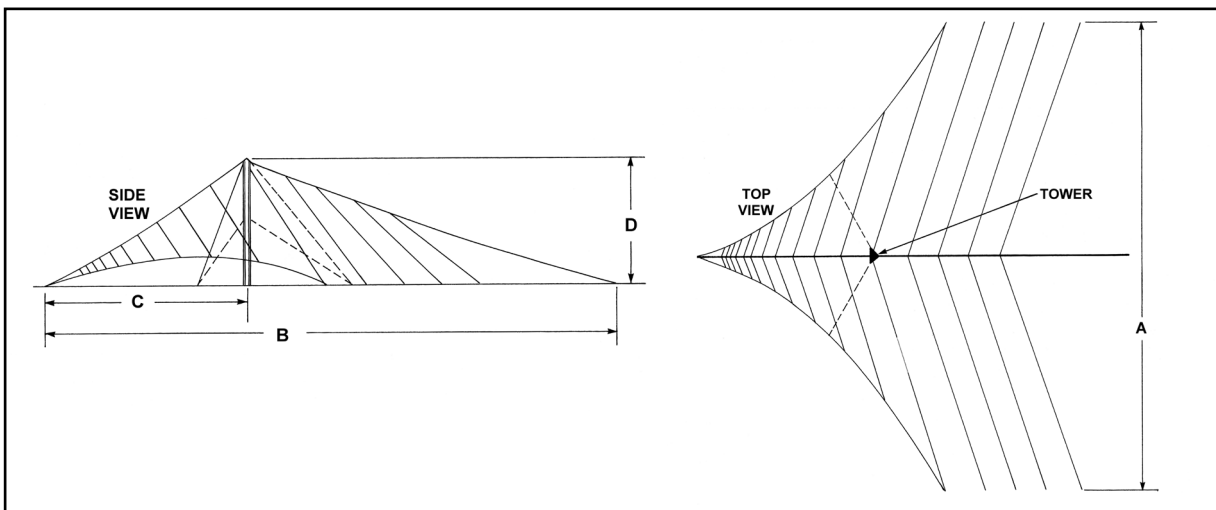
	Standard Series	Compact Series
Frequency Range, MHz	2 to 30	4 to 30
Polarization	Horizontal	Horizontal
VSWR without Resistive Loading, max.	2.0:1 (2.5:1 below 4.2 MHz)	2.0:1
Input Impedance, ohms	50	50
Gain	See Below	See Below
Azimuth Plane Half-Power Beamwidth, degrees		
2 to 4 MHz	Essentially omnidirectional	---
4 to 30 MHz	See Below	See Below
Elevation Plane Pattern	See Below	See Below
Max. Length of Any Part when Packed, ft (m)	20 (6.0)	20 (6.0)
Wind Survival Rating, mph (km/h)		
Without Ice	140 (230)	140 (230)
With 0.5 in (12 mm) Radial Ice	80 (125)	80 (125)

Directive Gain in dB Relative to Isotropic, Over Perfect Ground



Antenna Dimensions

	A ft (m)	B ft (m)	C ft (m)	D ft (m)
Standard Series 2.0-30 MHz	317.5 (96.8)	328.3 (100.1)	120 (36.6)	75 (22.9)
Compact Series 4.0-30 MHz	303 (92.4)	186 (56.7)	120 (36.6)	75 (22.9)



747FCD Series Horizontal Log Periodic Antenna

Ordering Information				
Type Number	Frequency Range, MHz	Power Rating, KW		Input Connector Female
		Average	Peak	
747FCD-2	2 to 30	Receive Only	Receive Only	Type N
747FCD-3	2 to 30	1	2	Type N
747FCD-7	2 to 30	10	30	1-5/8" EIA
747FCD-9	2 to 30	2.5	10	7/8" EIA
747FCD-11	2 to 30	20	40	1-5/8" EIA
747FCD-42	4 to 30	Receive Only	Receive Only	Type N
747FCD-43	4 to 30	1	2	Type N
747FCD-44	4 to 30	20	40	1-5/8" EIA
747FCD-47	4 to 30	10	30	1-5/8" EIA
747FCD-49	4 to 30	2.5	10	7/8" EIA

Kratos Defense & Security Solutions Inc.
 1120 Jupiter Road, Suite 102
 Plano, Texas, 75074
 USA
 Phone: 1 (214) 291-7654
 Fax: 1 (214) 291-7655
www.KratosDefense.com
Space@KratosDefense.com

Bulletin 1411E 06/20
 All designs, specifications and availabilities
 of products and services presented in this
 bulletin are subject to change without notice
 © 2020 Kratos Defense