

2726 Series Granger Vertically Polarized, Log Periodic Antennas

- 2.5-32 MHz Frequency Range
- Up to 10 KW Average, 20 KW Peak Power Rating
- Vertical Polarization
- 2.0:1 Maximum VSWR
- Long-Range HF Communications
- Minimum Tower Height
- Minimum Space Required

General Description

The 2726 Series is a family of monopole log-periodic arrays, the most economic configuration which can effectively radiate at broadband HF frequencies as low as 2.5 MHz. The antennas are intended for either point-to-point communications or sector broadcast.

Radiation patterns, characterized by a high-gain lobe directed close to the horizon, are nearly constant at all operating frequencies. The vertical beamwidth is sufficiently narrow to provide high directive gain, yet broad enough to encompass the range of take-off angles required by diverse ionospheric conditions. Side and back lobes are virtually absent, thereby minimizing off-path interference.

Features

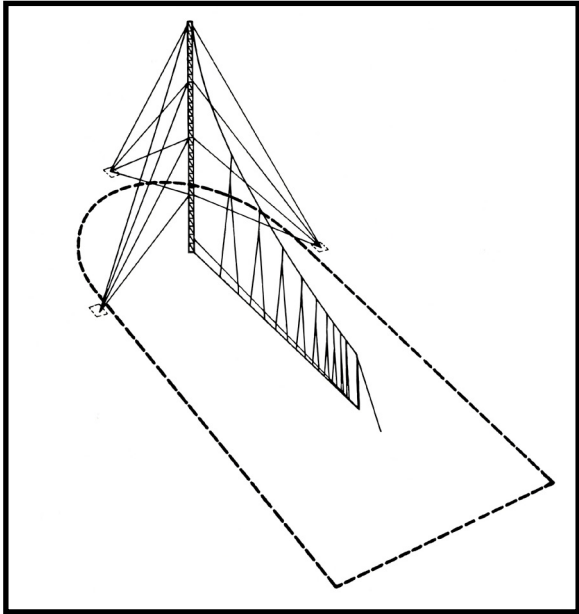
Strength and Durability. The 2726 Series antennas have been carefully designed to create a high, strong, resilient structure and will operate for long periods in harsh environments. Radiators are high-strength bronze wire. The supporting catenary is fiberglass rod bonded to aluminum fittings. All materials have been selected for maximum resistance to corrosive environments, such as salt spray, tropical locations and industrial regions.

Ease of Assembly and Installation. Towers are shipped unassembled and are easily assembled in the field through interconnection of three vertical rails. All parts are supplied. Antennas can be erected without a crane, using an erection fixture available as an option.

Accessories. The following accessories are available for ease of installation and maintenance: tower lighting kit, erection kit, paint kit, tool kit, lightning rod kit, anti-climbing kit and spares kit.

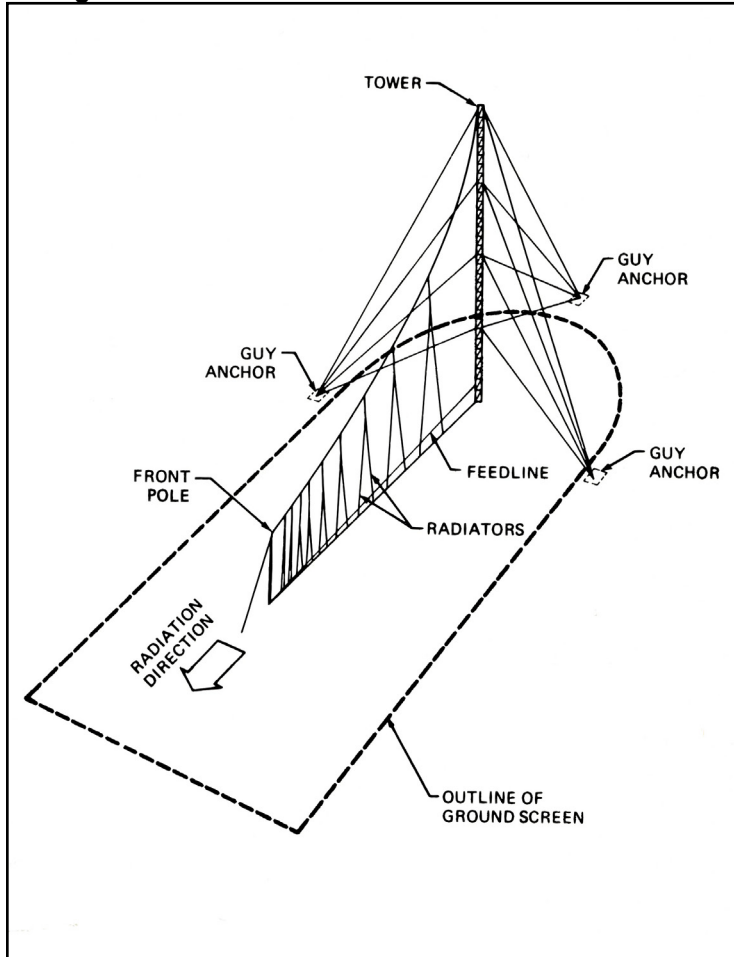
Characteristics

Type	HF Monopole log-periodic
Frequency Range, MHz	2.5-32 or 3.5-32
Power Rating, KW	Up to 10 average, 20 peak
Polarization	Vertical
VSWR	2.0:1 maximum
Gain, dBi	Greater than 10 over perfect ground
Wind survival Rating, mph (km/h)	
Without Ice	120 (190)
With 1/2 in (12mm) Radial Ice	100 (160)

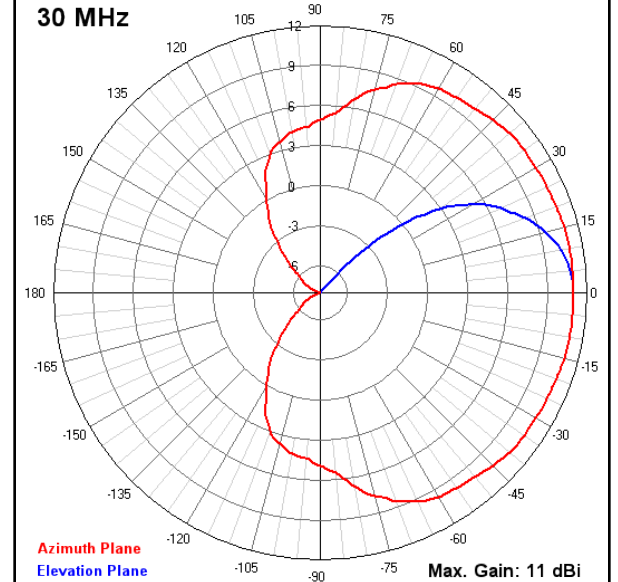
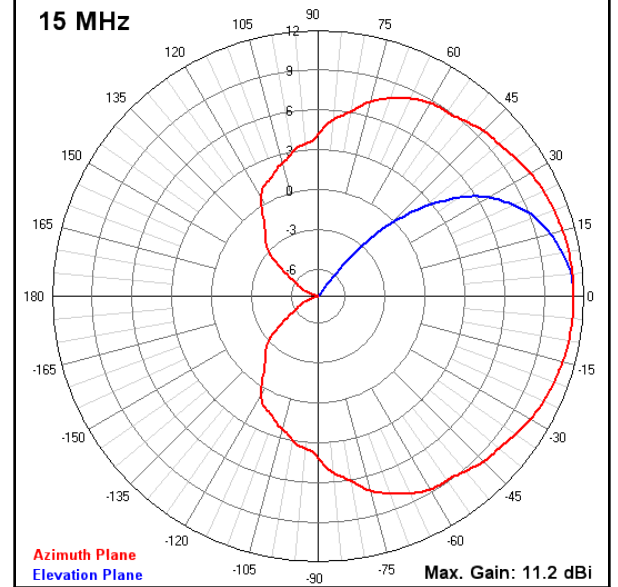
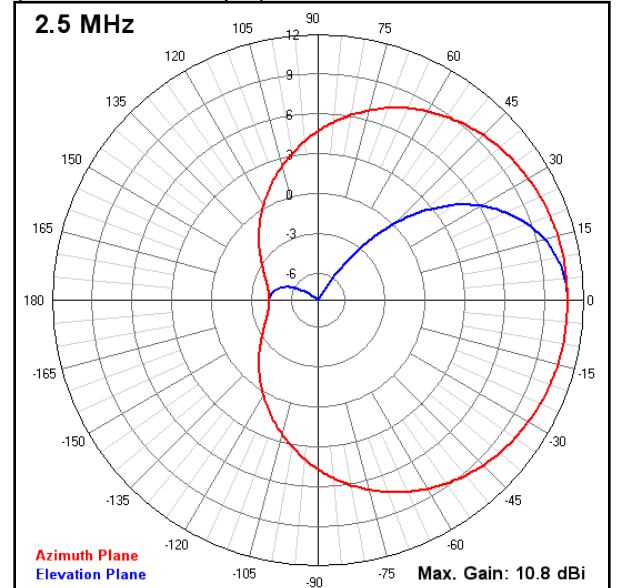


2726 Series Vertical Log Periodic Antenna

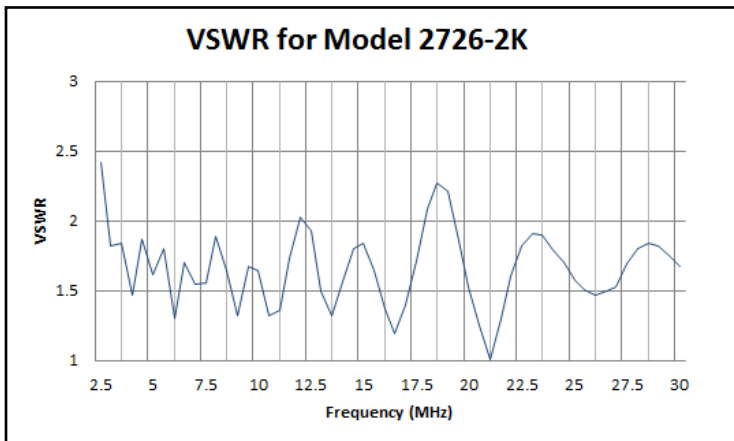
Configuration of All Series 2726 Antennas



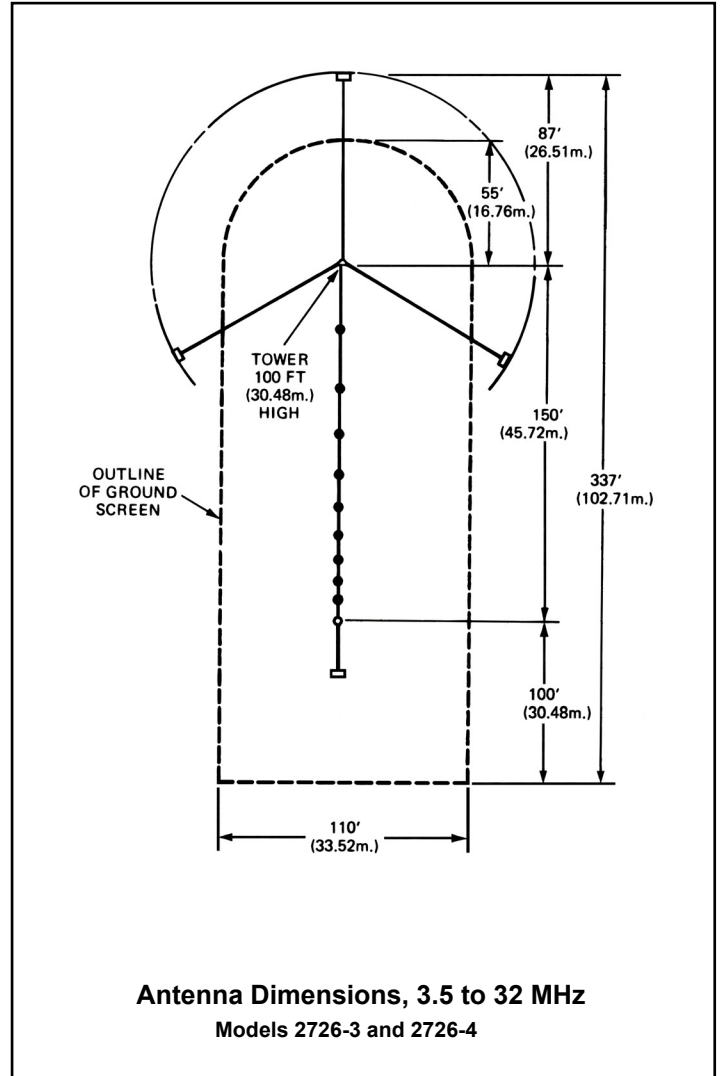
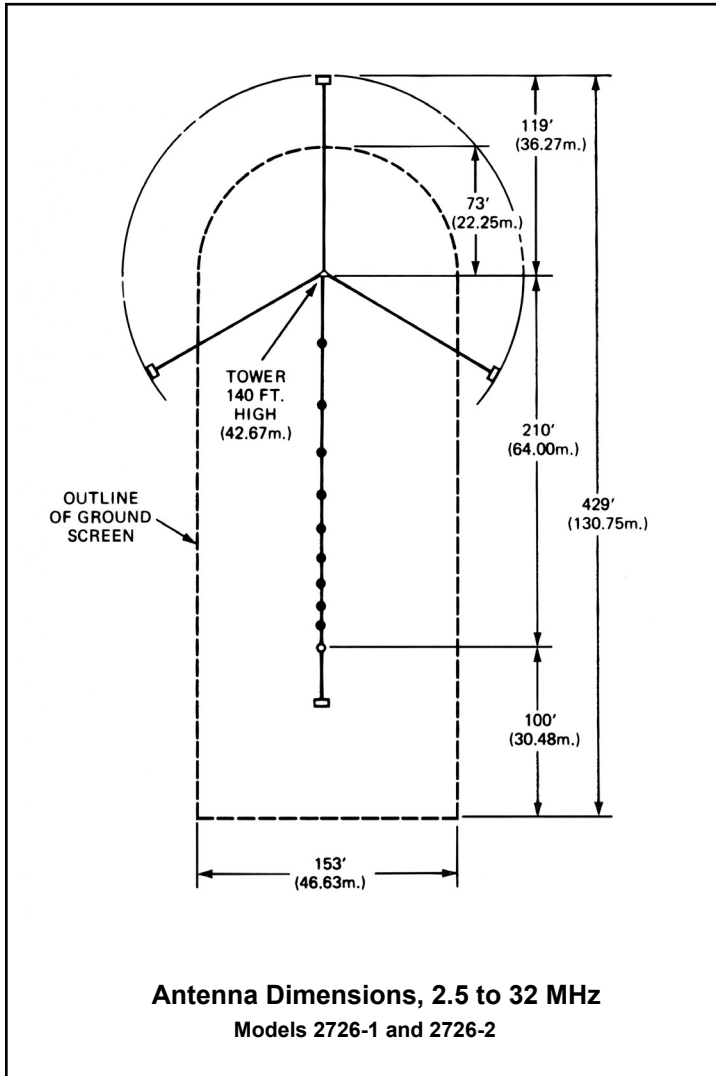
Typical 2726 Radiation Patterns
(Relative to Isotropic)



VSWR for Model 2726-2K



2726 Series Vertical Log Periodic Antenna



Ordering Information

Type Number	2726-1K	2726-2K	2726-3K	2726-4K
Frequency Range, MHz	2.5-32	2.5-32	3.5-32	3.5-32
Power Rating, kW	Receive Only	10 Average, 20 Peak	Receive Only	10 Average, 20 Peak
Input Impedance, Ohms	50, Coaxial	50, Coaxial	50, Coaxial	50, Coaxial
Input Connector	Type N Female	1-5/8" EIA, Female	Type N Female	1-5/8" EIA, Female
Level of Largest Side				
or Back Lobe	-10 dB below 3.2 MHz	-10 dB below 3.2 MHz	-10 dB below 4.4 MHz	-10 dB below 4.4 MHz
Relative to Main Lobe	-14 dB from 3.2 to 32 MHz	-14 dB from 3.2 to 32 MHz	-14 dB from 4.4 to 32 MHz	-14 dB from 4.4 to 32 MHz

Note: Class 2,3 or 4 Douglas Fir Pole required (not furnished)
Required Lengths are 35 ft (10.7 m) for Type Nos. 2726-1 and 2726-2;
and 25 ft (7.6 m) for Type Nos. 2726-3 and 2726-4.

Kratos Defense & Security Solutions Inc.
 1120 Jupiter Road, Suite 102
 Plano, Texas, 75074
 USA
 Phone: 1 (214) 291-7654
 Fax: 1 (214) 291-7655
 www.KratosDefense.com
 Space@KratosDefense.com

Bulletin 1426F 06/20
 All designs, specifications and availabilities
 of products and services presented in this
 bulletin are subject to change without notice
 © 2020 Kratos Defense