

# KRATOS | GENERAL MICROWAVE

## Microwave Electronics Division

### SUPER HETERODYNE RECEIVER

#### MAIN FEATURES

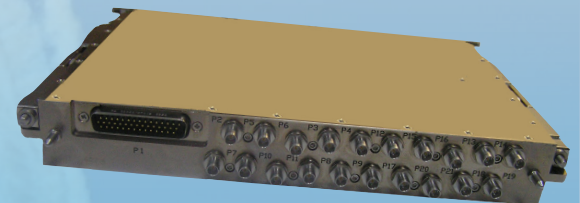
- Wide Frequency Range: 0.5 to 18 GHz
- Three simultaneous IF outputs
- AM and FM detectors
- Low Phase Noise
- Modes of Operation: Scan and Search Modes
- Built-in test functions
- Low Power Consumption



SUPER HETRODYNE RECEIVER

#### APPLICATIONS

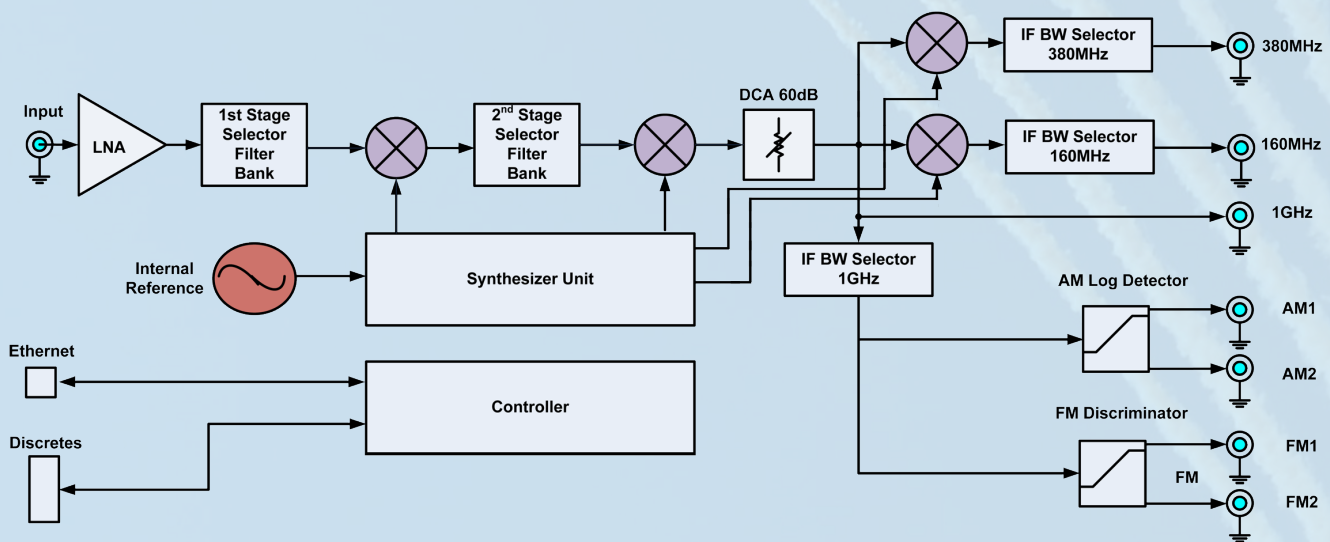
KRATOS General Microwave is supplying custom wide band receivers for ESM and ELINT applications. Utilizing cutting edge technology enables KRATOS General Microwave to provide high performance cost effective Receiver solutions. KRATOS General Microwave receiver product line is focusing on providing custom receivers to meet specific requirements



QUAD RECEIVER

## DESCRIPTION AND BLOCK DIAGRAM

Signals from the antenna are fed to the WBR receiver input. The input stage consists of a high dynamic range front end which includes a preselector. The dual down converter sections use synthesized LO inputs to convert all incoming signals to an IF signal. This IF signal is then fed to the IF assembly for further conversion, gain control and filtering to provide simultaneous outputs of 160 MHz and 380 MHz. The IF signal is also provided as a third and separate IF output. In addition, the IF signal is fed, in parallel, to the demodulator sections which comprise of AM and FM detectors. These can then extract the respective amplitude and frequency information from the modulated IF signal be it CW or narrow pulse widths of 50 nanoseconds.



### KRATOS | GENERAL MICROWAVE Microwave Electronics Division

#### ISRAEL

#### JERUSALEM SITE:

20 Pierre Koenig

Jerusalem 9153102

Tel: +972-2-568-9444

kratos-gmi@kratos-med.com

#### ISRAEL

#### EYAL SITE:

Kibbutz Eyal

D.N.Hasharon Hatichon 4584000

Tel: +972-9-749-9100

kratos-eyal@kratos-med.com

#### USA

#### NEW YORK SITE:

227A Michael Drive

Syosset, New York 11791

Tel: +1-516-802-0900

kratos-gmc@kratosdefense.com

[www.kratosmed.com](http://www.kratosmed.com)